

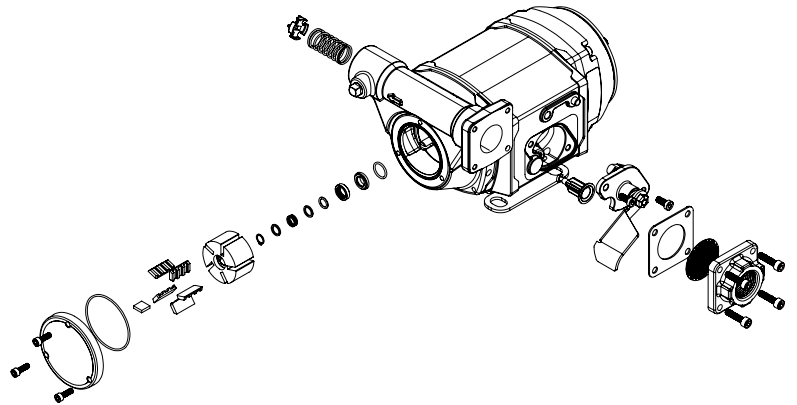
FILL-RITE®

A GORMAN-RUPP COMPANY



NX25-120 & NX25-240 FOOT MOUNT SERIES TECHNICAL SPECIFICATIONS

Motor	NX25-120	NX25-240
Power	120V AC	230V AC (50/60 Hz)
HP (Horsepower) Rating	1/3 HP	
Amps (FLA)	3.5	1.8
RPM	Variable 400 - 3500	
Duty Cycle	Continuous for fuel transfer	
Thermal Protection	Electronically protected	
Certifications	UL/cUL motor, ATEX, IECEx, CE	



Pump	
Type / Design	Rotary vane
GPM in Supplied Configuration	25 GPM / 95 LPM"
Bypass Pressure Rating (PSI) - Max	25 PSI
Dry Vac (in Hg)	11
Head - Max	48.5'
Inlet - Size / Thread	1" NPT (BSP available)
Outlet - Size / Thread	1" NPT (BSP available)
Inlet - Material	Cast iron
Material - Pump Housing	Cast iron
Material - Wetted Material	Phenolic, stainless steel, steel, acetal, thermoset, Buna-N, fluorocarbon
Rotor Material	Powdered iron
Rotor Vane Material	Acetal
Compatible Fluids	Diesel, gasoline, biodiesel up to B20, E15, kerosene, mineral spirits, methanol (up to 15%)
Strainer Mesh Size	20 x 20
Warranty	Limited lifetime warranty**

SERVICE KIT INFORMATION

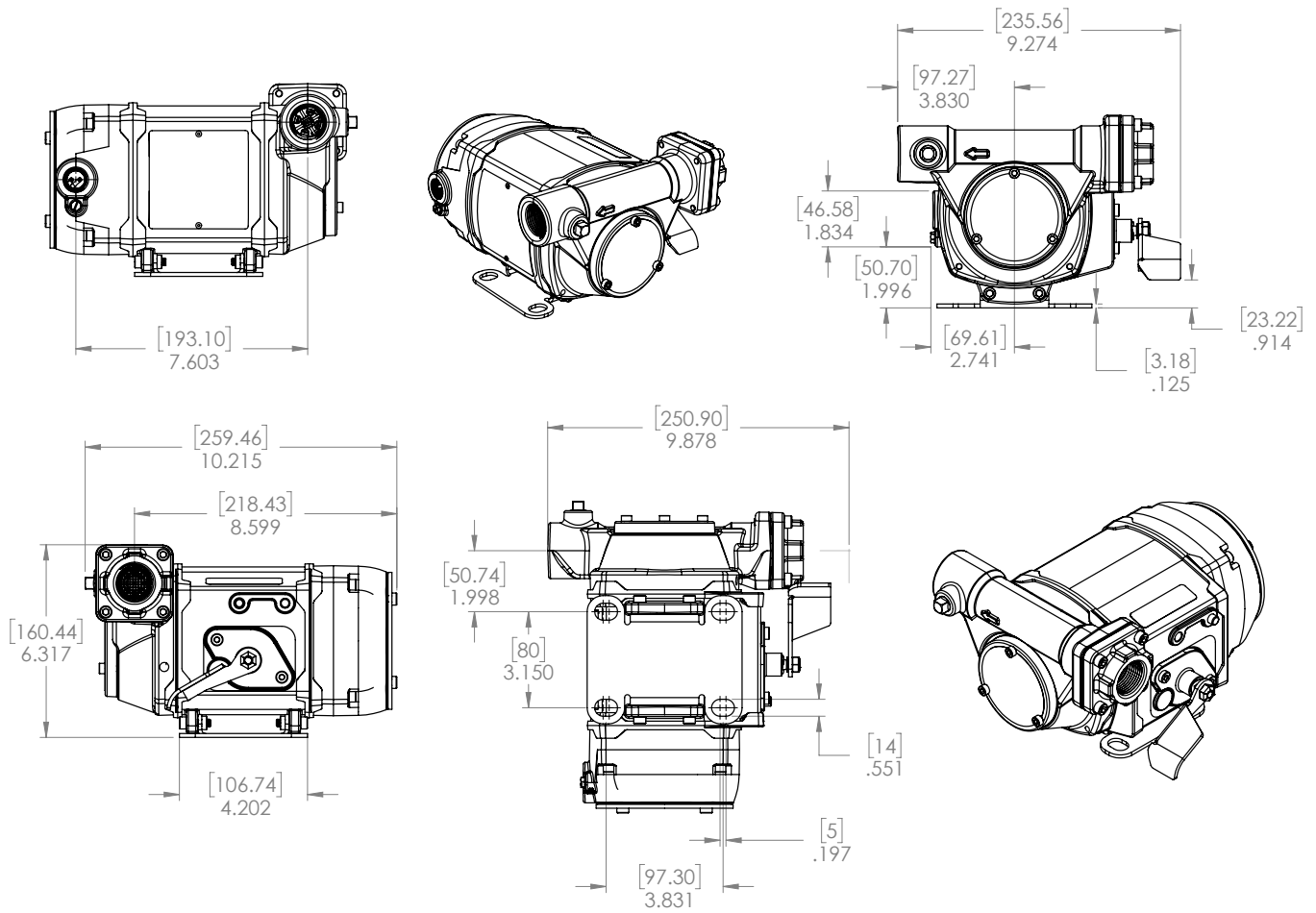
Kit	Description	Parts
KIT321RK	Overhaul Kit	Rotor, rotor cover, vanes, O-ring seal, shaft seal kit, bypass valve, inlet seal & screen, rotor key, attaching hardware
KIT321RG	Rotary Group	Rotor, vanes, rotor key, gasket, rotor cover, screws
KIT320SL	Shaft Seal	8-piece assembly
KIT321BV	Bypass Kit	Poppet, spring, O-ring, cap
KIT321SK	External Seal Kit	Rotor cover, O-ring seal, inlet gasket, screen
KIT321FS	Switch	Switch assembly
KIT321ASN	Anti-Siphon Kit	Anti-siphon, fasteners

*Adding accessories will affect flow rate

**Warranty details can be found at fillrite.com

DIMENSIONAL INFORMATION

FILL-RITE®



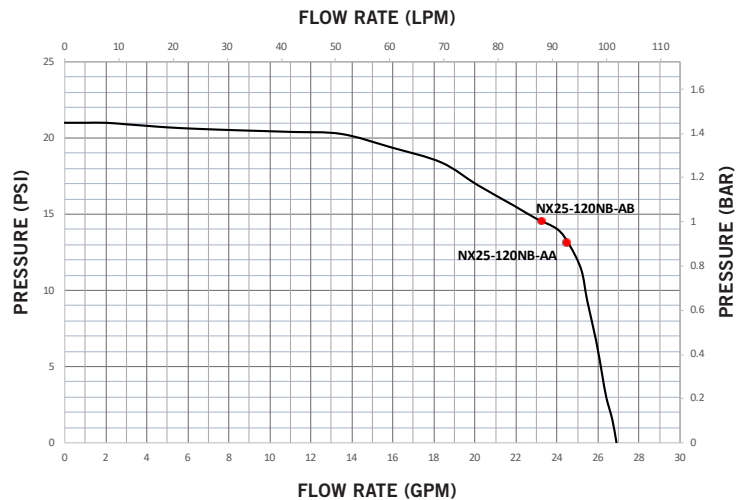
Measurements

Overall Height	6.317"
Overall Width	9.274"
Overall Depth	10.215"
Intake Center Line to Back of Motor Housing	8.599"
Product Weight	21.6 lbs / 9.8 kg
Qty per Pallet	16
Box Dimensions (LxWxH) - Pump Only	18" x 15 ¹ / ₈ " x 10"
Box Dimensions (LxWxH) - Full Kit	21 ¹ / ₂ " x 19 ¹ / ₂ " x 9 ³ / ₈ "

Optional Accessories

Nozzle - Size	1" NPT-F inlet, 1 ¹ / ₈ " OD spout
Nozzle	Ultra hi-flow automatic
Hose Diameter	1"
Hose Length	18'
Hose Material of Construction	Neoprene exterior
Hose Static Wire (Yes/No)	Yes
Certifications	UL/cUL listed, ATEX, IECEx, CE

PERFORMANCE CURVE: NX25-120/240* SERIES



NX25-120 & NX25-240 Pump Models

MADE IN USA
WITH GLOBAL MATERIALS

CUSTOMER SUPPORT: (800) 634-2695
TECHNICAL SUPPORT: (260) 747-7524

FILLRITE.COM

GORMAN-RUPP
COMPANY